

ContourLine  
24" Steam Oven

DG 6500



# ContourLine 60cm Steam Oven DG 6500



## DG 6500

### Features:

- SensorTronic controls: 5-line TFT display with laterally positioned sensor controls that clearly present menu content
- MultiSteam technology delivers powerful external steam generation and optimum steam distribution via 8 inlet ports
- MultiSteam logo illuminates on the back cavity for a “wow” effect
- 1.34 cu.ft. (38L) cavity — 26% more capacity on 4 shelf levels
- Steam reduction creates a safe environment when opening the door and removing your food
- Easy clean-up through stainless steel cavity
- MasterChef menu offers over 150 food types to cook to perfection
- 1/2 gallon dishwasher-safe water container
- A ClearView door and interior lighting allow you to see into the steam oven as it's cooking
- ComfortSwivel handle moves with the motion of your wrist, creating a more ergonomic feel when opening and closing the oven door

## SPECIFICATIONS

### DG 6500 — Item 23650050USA

Overall Unit Width - Excluding Fascia Dimension	21 <sup>3</sup> / <sub>4</sub> " (553 mm)
Overall Height - Excluding Fascia Dimension	17 <sup>9</sup> / <sub>16</sub> " (446 mm)
Overall Unit Depth - Excluding Fascia Dimension	21 <sup>5</sup> / <sub>8</sub> " (549 mm)
Oven Door Clearance	12 <sup>7</sup> / <sub>8</sub> " (326 mm)
Overall Fascia Dimensions	23 <sup>7</sup> / <sub>16</sub> " (595 mm) W x 18" (455.5 mm) H x 7 <sup>7</sup> / <sub>8</sub> " (23 mm) D

### Built-In

Minimum Cabinet Width	22 <sup>1</sup> / <sub>16</sub> " (560 mm)
Minimum Cabinet Depth	21 <sup>5</sup> / <sub>8</sub> " (550 mm)
Minimum Cabinet Opening Height	17 <sup>11</sup> / <sub>16</sub> " (450 mm)
Minimum Base Support	60 lbs (27 kg)

Additional Cut-outs Required	Power cord cut-out
------------------------------	--------------------

### Electrical

Electrical Requirements	208/240V, 60Hz, 20A
Power Cord	Molded - NEMA 6-20 plug, 5 ft (1.5 m)
Cut out for power cord	Minimum 3" square

### Shipping

Shipping Weight	65 lbs (29.5 kg)
Shipping Dimensions	26 <sup>7</sup> / <sub>32</sub> " W x 21 <sup>5</sup> / <sub>8</sub> " H x 23 <sup>1</sup> / <sub>16</sub> " L

### Support

Call Miele	800.843.7231
Miele Website	🌐 <a href="http://www.mieleusa.com">www.mieleusa.com</a>
20/20 Link	🌐 <a href="http://2020technologies.com">2020technologies.com</a>

<p><b>Comfort Handle:</b> Optional with ContourLine (DS 6708 Item #09828380)</p>	<p><b>ComfortSwivel Handle:</b> Standard with ContourLine Optional for PureLine (DS 6718 Item # 09828390)</p>
--	---

<p><b>Silhouette Handle:</b> Standard with Pureline Optional for Contourline (DS 6808 Item # 09828400)</p>	
--	--

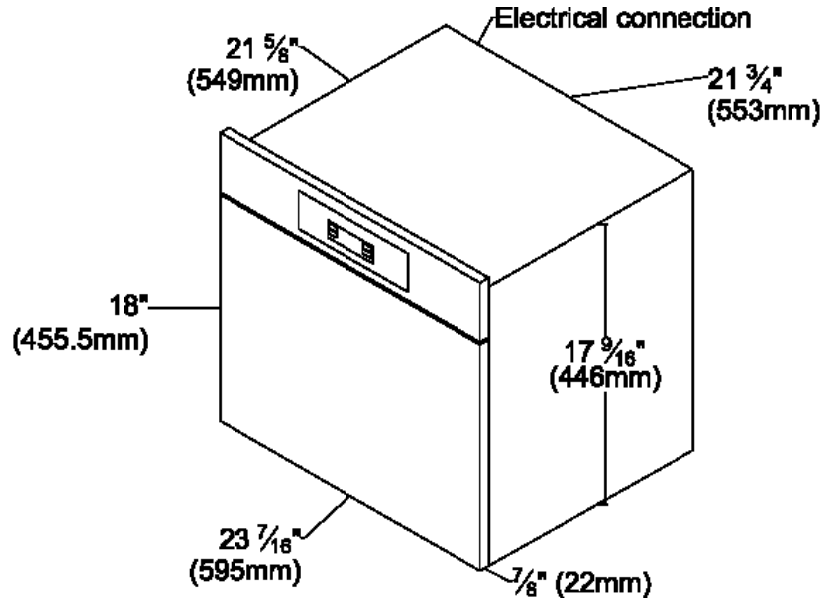
<p><b>Silhouette Handle (Chrome):</b> Standard with BrilliantWhite (DS 6808 Item # 09828410)</p>	<p><b>Silhouette Handle:</b> Standard with Truffle Brown (DS 6808 Item # 09870690)</p>
--	--

# ContourLine 60cm Steam Oven DG 6500

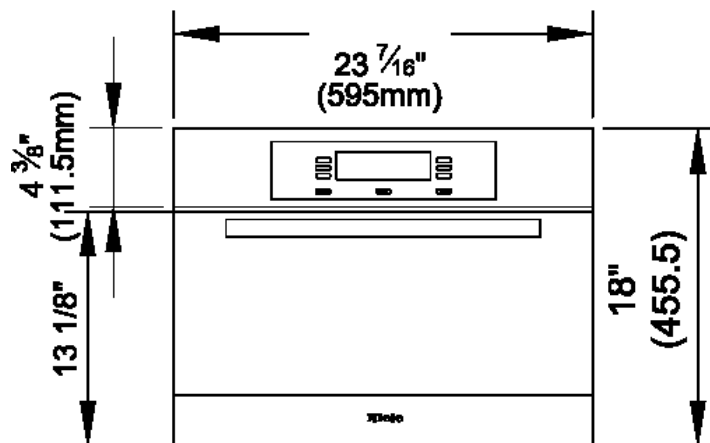


## PRODUCT VIEWS

Isometric View

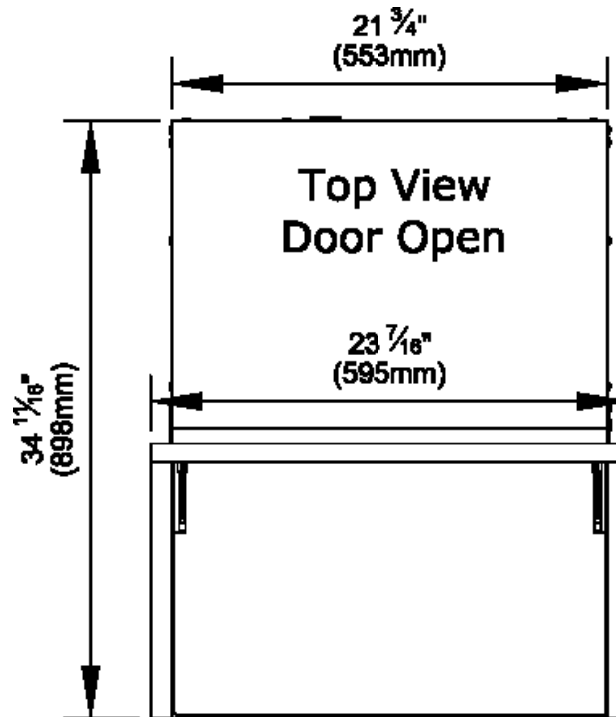


Front View

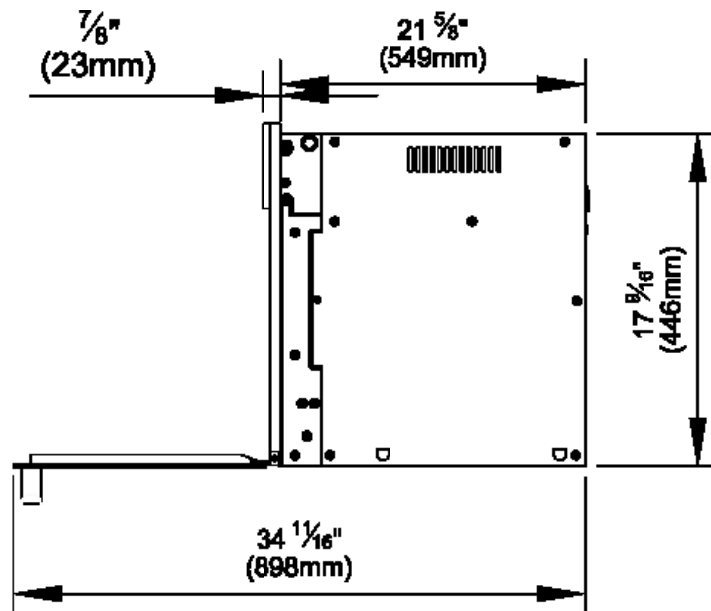


PRODUCT VIEWS

Top View



Side View

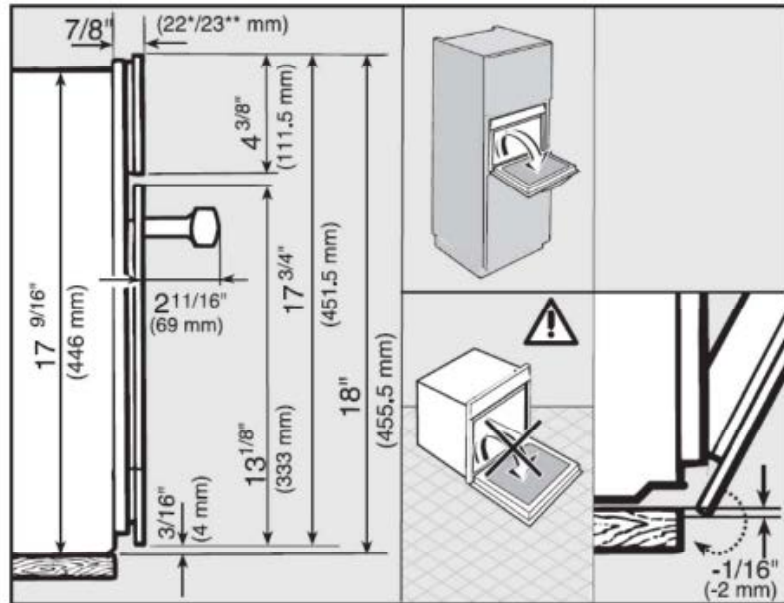


# ContourLine 60cm Steam Oven DG 6500

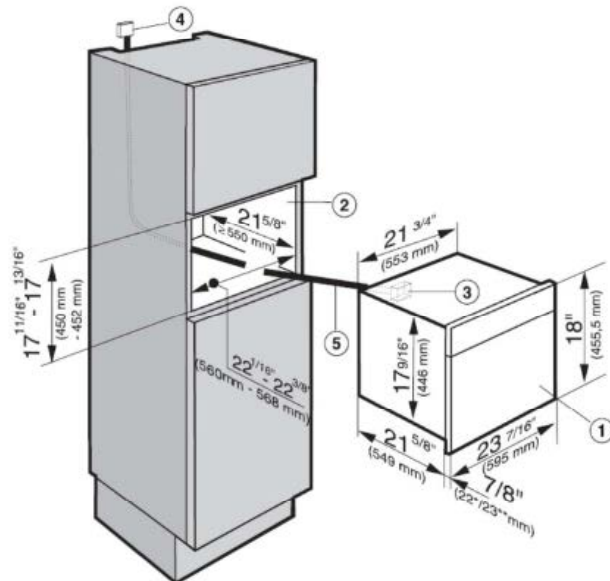


## INSTALLATION SPECIFICATIONS

### Door Swing and Face Detail



### Installation in Tall Cabinet



\* Appliances with glass front

\*\* Appliances with metal front

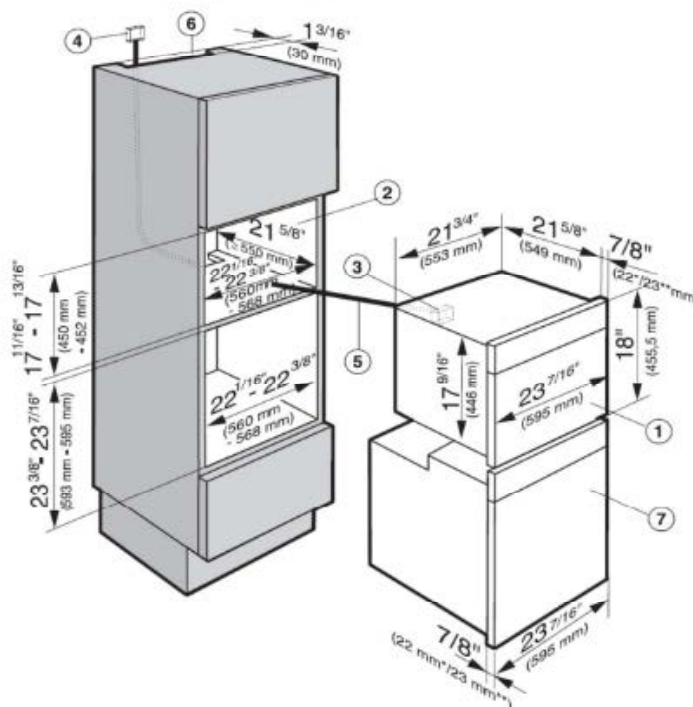
- ① Built-in steam oven
- ② Installation niche
- ③ Power cord - Connection on the appliance
- ④ Recommended location of the electrical outlet
- ⑤ Power cord

# ContourLine 60cm Steam Oven DG 6500



## INSTALLATION SPECIFICATIONS

Installation above 60cm Oven

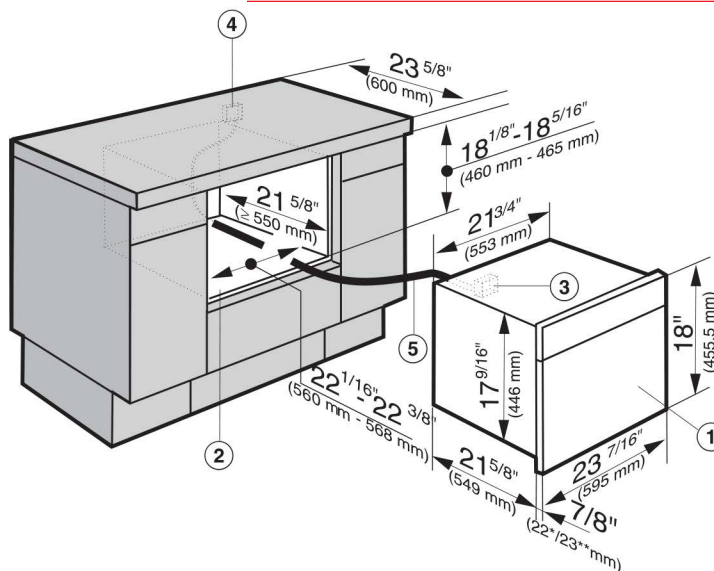


\* Appliances with glass front

\*\* Appliances with metal front

- ① Built-in steam oven
- ② Installation niche
- ③ Power cord - Connection on the appliance
- ④ Recommended location of the electrical outlet
- ⑤ Power cord
- ⑥ Cut-out for ventilation when combined with a self-cleaning oven
- ⑦ Oven

Installation Under Counter



- ① Steam oven
- ② Niche
- ③ Pass-through for the power cord
- ④ Recommended position for electrical outlet
- ⑤ Power cord

\* Glass front / \*\* Metal front